

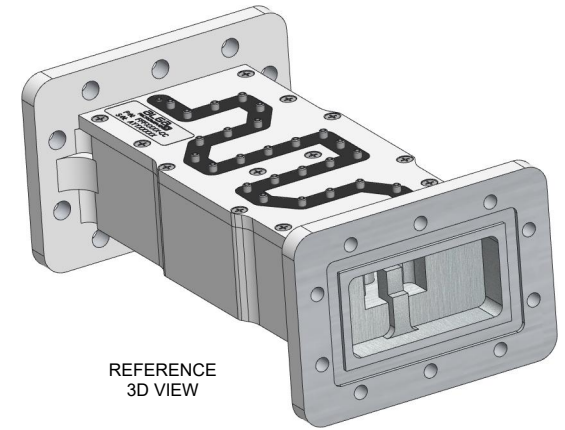
THIS INFORMATION DISCLOSED HEREIN WAS ORIGINATED BY AND IS THE PROPERTY OF ALGA MICROWAVE AND CREDIT FOR USE IS EXPRESSLY GRANTED TO A SECOND PARTY. ALGA MICROWAVE RESERVES ALL PATENT, PROPRIETARY, DESIGN, USE, TRADE MARKING AND REPRODUCTION RIGHTS THEREON. THIS DOES NOT APPLY TO ANY VENDOR PARTS.

PHASE II (TWO) "BLUE" GROUP K, 4.0 - 4.2

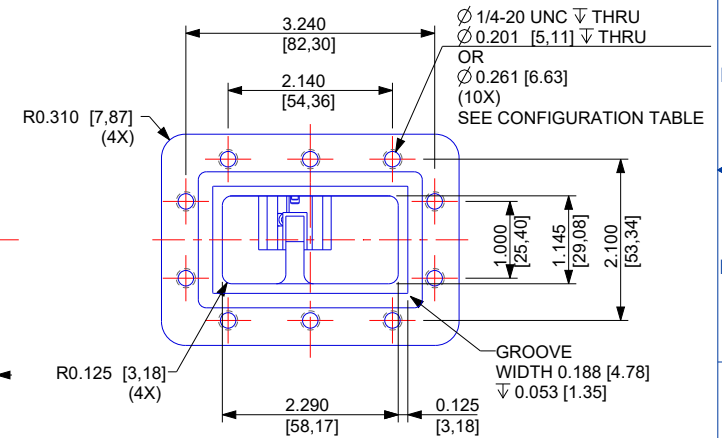
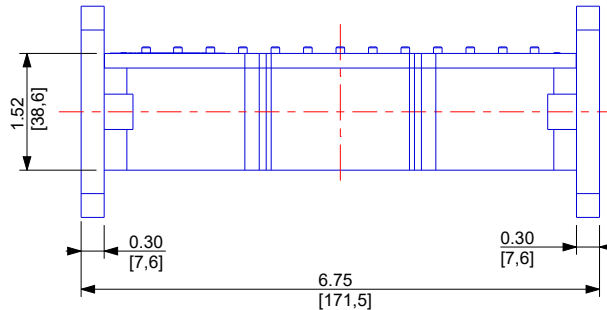
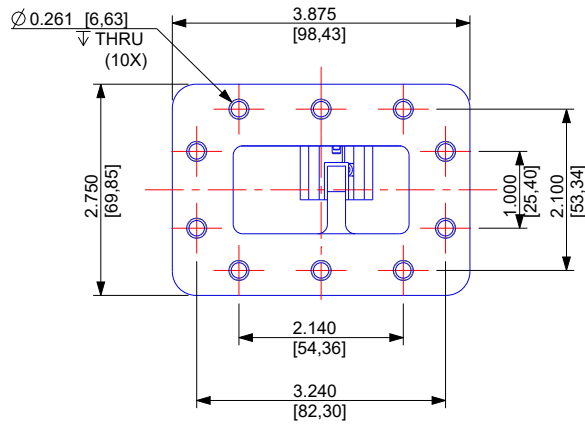
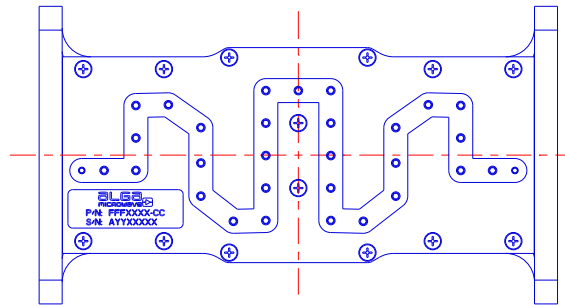
REVISIONS			
REV	E.C.N.	DATE	APPROVED
A	INITIAL RELEASE	Aug 16, 2019	M.B.
B	ECN-20-0008	Feb 26, 2020	P.B.

ELECTRICAL PROPERTIES	
GROUP J FILTER	PASSBAND 4020 - 4200 MHz
	GROUP DELAY VARIATION 1.45 nSec MAX Within ±0.5 MHz
	INSERTION LOSS 1.3 dB MAX
	REJECTION 60 dB MIN AT 4000 MHz 25 dB MIN AT 4230 MHz
	RETURN LOSS 19 dB MIN
GROUP K FILTER	PASSBAND 4000 - 4200 MHz
	GROUP DELAY VARIATION 1.45 nSec MAX Within ±0.5 MHz
	INSERTION LOSS 1.3 dB MAX
	REJECTION 70 dB MIN BELOW 3900 MHz 60 dB MIN AT 3980 MHz 50 dB MIN AT 3983MHz (temp drift) 25 dB MIN ABOVE 4230 MHz
	RETURN LOSS 20 dB MIN

MECHANICAL PROPERTIES	
INTERFACES	FLANGE: UDR40 CPR-229 FLAT FLANGE: PDR40 CPR-229 GROOVED
MATERIAL	ALUMINUM 6061
FINISH	FLANGES: CHEMICAL CONVERSION WAVEGUIDE: SILVER PLATE EXTERIOR: MATTE WHITE PAINT
WEIGHT	2.2 Lbs [998g]
ENVIRONMENTAL PROPERTIES	
OPERATING TEMP	0°C TO +50°C

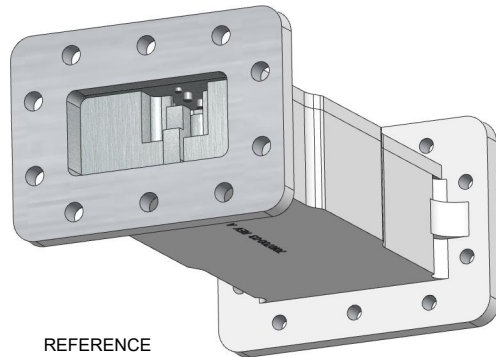


REFERENCE 3D VIEW

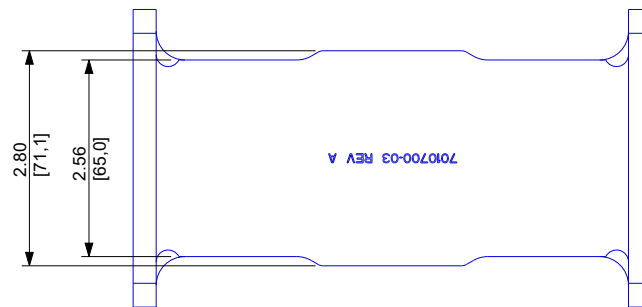


CONFIGURATION TABLE	
2100318-03-X1	TAP HOLE Ø 1/4-20 UNC (10X) & THRU HOLE Ø 0.261 [6.63] (10X)
2100318-03-X2	THRU HOLE Ø 0.261 [6.63] (20X) BOTH SIDES

LEGEND: 2100318-03-XX
GROUP OPTION FLANGE HOLES OPTION



REFERENCE 3D VIEW



INCH [MILLIMETER]

UNLESS OTHERWISE SPECIFIED DIMENSIONS ARE IN INCHES
 TOLERANCES AS PER DECIMALS
 X ±0.01 XXXX ±0.001
 XX ±0.005 XXXXX ±0.0005
 XXX ±0.002 DEGREES ±0° 30'
 DO NOT SCALE DRAWING

FORMAT SIZE: **A**

18715 Boul. Hymus, Kirkland
 Quebec, H5H 5M6, CANADA
 Tel: 514-694-8666
 FAX: 514-694-3615
 www.alga.ca & www.milcovsat.com



DRAWN: M.Sobol	DATE: Aug 16, 2019	TITLE: Filter 4GHz WR229 Group J/K
CHECKED: M.B.	DATE:	PART NUMBER: SEE CONFIGURATION TABLE
ENGINEERED: M.B. / P.B.	DATE:	DRAWING NUMBER: OD-2100318-03-XX
APPROVED: P.B.	DATE:	CAGE CODE: SCALE: 0.400 SHEET: 1 OF 1