

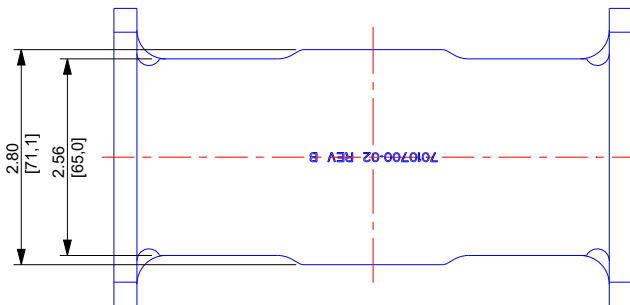
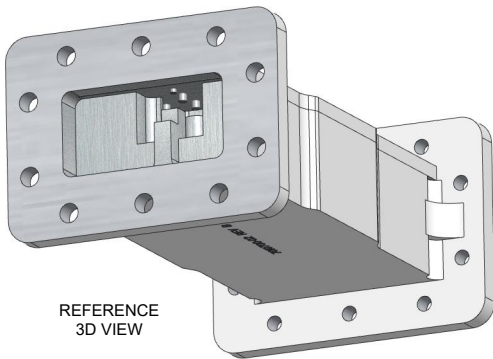
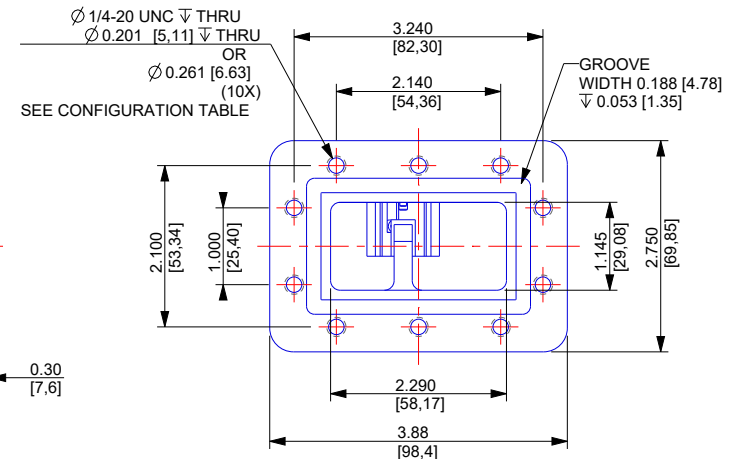
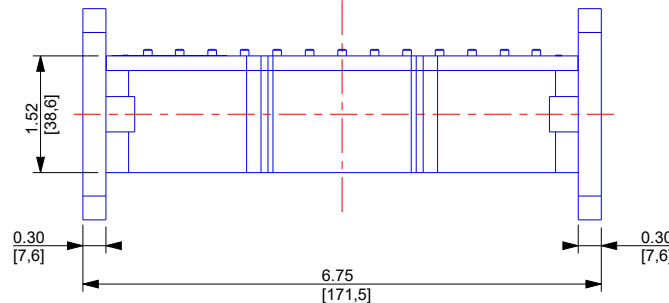
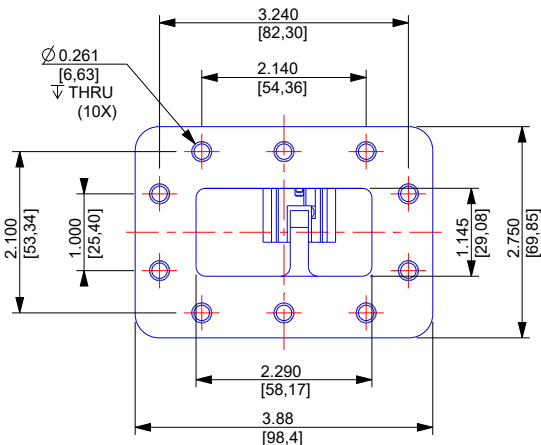
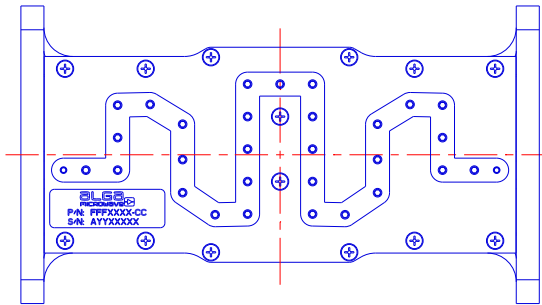
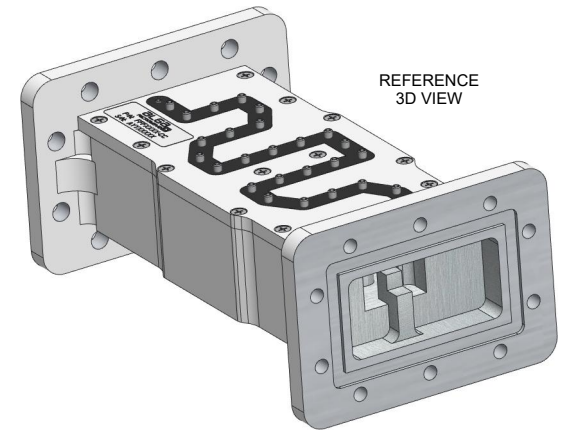
THIS INFORMATION DISCLOSED HEREIN WAS ORIGINATED BY AND IS THE PROPERTY OF ALGA MICROWAVE AND DESIGNED FOR USE EXCLUSIVELY IN ACCORDANCE WITH THE TERMS AND CONDITIONS OF THE LICENSE AGREEMENT. ALGA MICROWAVE RESERVES ALL PATENT, PROPRIETARY, DESIGN, USE, TRADE MARKING AND REPRODUCTION RIGHTS THEREON. THIS DOES NOT APPLY TO ANY VENDOR PARTS.

# PHASE I (ONE) "RED" GROUP I, 3.82-4.2

REVISIONS			
REV	E.C.N.	DATE	APPROVED
A	INITIAL RELEASE	Oct 29, 2018	M.B.
B	ECN-18-0083	Nov 27, 2018	M.B.
C	ECN-19-0062	Aug 14, 2019	M.B.
D	ECN-20-0008	Feb 26, 2020	P.B.

ELECTRICAL PROPERTIES	
GROUP G FILTER	PASSBAND: 3900 - 4200 MHz
	GROUP DELAY VARIATION: 1.45 nSec MAX Within ±0.5 MHz
	INSERTION LOSS: 1.3 dB MAX
	REJECTION: 50 dB MIN AT 3880 MHz 25 dB MIN AT 4230 MHz
GROUP H FILTER	RETURN LOSS: 19 dB MIN
	PASSBAND: 3780 - 4200 MHz
	GROUP DELAY VARIATION: 1.45 nSec MAX Within ±0.5 MHz
	INSERTION LOSS: 1.3 dB MAX
GROUP I FILTER	REJECTION: 60 dB MIN AT 3760 MHz 25 dB MIN AT 4230 MHz
	RETURN LOSS: 19 dB MIN
	PASSBAND: 3820 - 4200 MHz
	GROUP DELAY VARIATION: 1.45 nSec MAX Within ±0.5 MHz
	INSERTION LOSS: 1.3 dB MAX
	REJECTION: 70 dB MIN BELOW 3700 MHz 60 dB MIN AT 3800 MHz 50 dB MIN AT 3803 MHz (temp drift) 25 dB MIN ABOVE 4230 MHz
RETURN LOSS: 20 dB MIN	

MECHANICAL PROPERTIES	
INTERFACES	FLANGE: UDR40 CPR-229 FLAT FLANGE: PDR40 CPR-229 GROOVED
MATERIAL	ALUMINUM 6061
FINISH	FLANGES: CHEMICAL CONVERSION WAVEGUIDE: SILVER PLATE EXTERIOR: MATTE WHITE PAINT
WEIGHT	2.2 Lbs [998g]
ENVIRONMENTAL PROPERTIES	
OPERATING TEMP	0°C TO +50°C



CONFIGURATION TABLE	
2100318-02-X1	TAP HOLE Ø 1/4-20 UNC (10X) & THRU HOLE Ø 0.261 [6.63] (10X)
2100318-02-X2	THRU HOLE Ø 0.261 [6.63] (20X) BOTH SIDES

LEGEND: 2100318-02-XX  
 GROUP OPTION → FLANGE HOLES OPTION →

INCH (MILLIMETER)

UNLESS OTHERWISE SPECIFIED DIMENSIONS ARE IN INCHES  
 TOLERANCES AS PER DECIMALS  
 X ±0.01 XXXX ±0.001  
 XX ±0.005 XXXXX ±0.0005  
 XXX ±0.002 DEGREES ±0° 30'  
 DO NOT SCALE DRAWING

FORMAT SIZE: **A**

18715 Boul. Hymus, Kirkland, Quebec, H3H 5M6, CANADA  
 Tel: 514-694-8666  
 FAX: 514-694-3615  
 www.alga.ca & www.milcovat.com



DRAWN: M.Bourgoin  
 CHECKED: P.B.  
 ENGINEERED: M.B. / P.B.  
 APPROVED: P.B.

TITLE: Filter 4GHz WR229 Group G H I  
 DATE: Oct 29, 2018  
 PART NUMBER: SEE CONFIGURATION TABLE  
 DRAWING NUMBER: OD-2100318-02-XX  
 SCALE: 0.400  
 SHEET: 1 OF 1